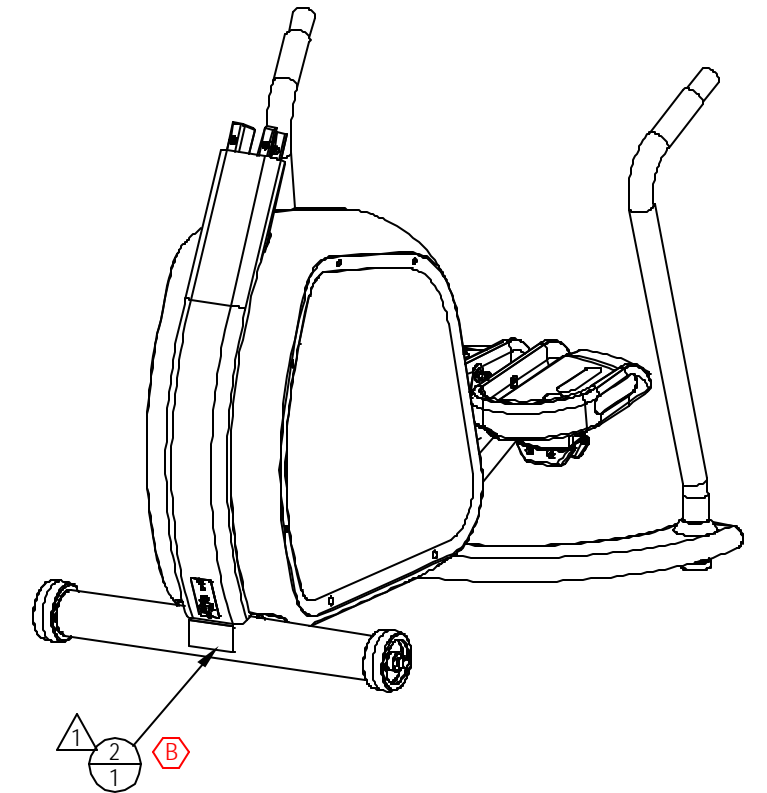
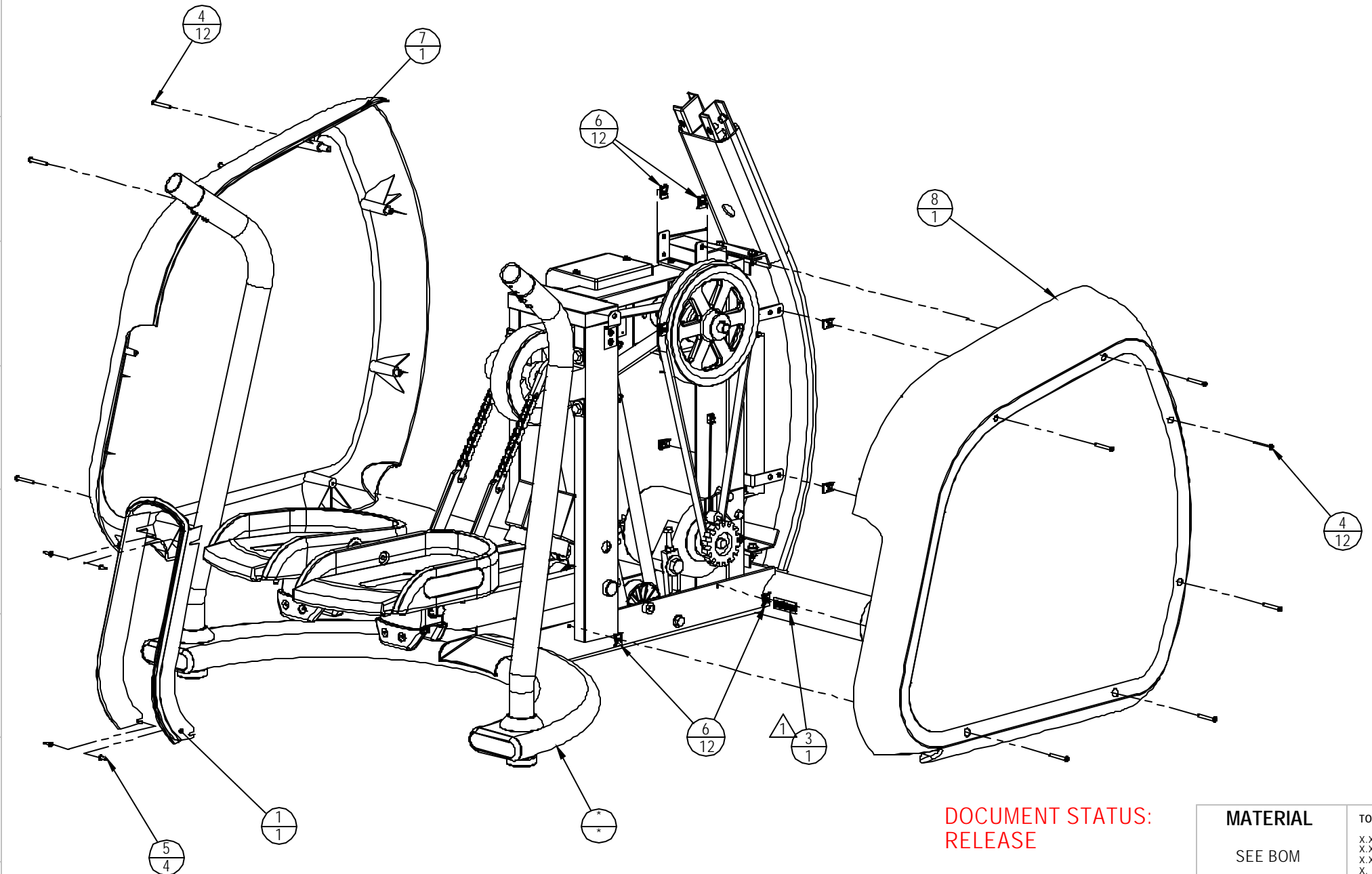


NOTES:

1 CLEAN AREA WITH ISOPROPYL ALCOLHOL PRIOR PLACING LABEL(S).

REVISION HISTORY				
REV	DATE	DESCRIPTION	ECO	BY
A	03-13-08	PRODUCTION RELEASE	11539	DN
B	04-30-08	ADEED P/N 050-2070; REMOVED P/N 050-1816	11888	FJM



ITEM NO.	PART NUMBER	DESCRIPTION	QTY.
1	020-6749	SHROUD, OPENING, STEPPER, 5100	1
2	050-2070	LABEL, SERIAL, PVS KIT	1
3	050-2079	LABEL, PATENTS, 5100	1
4	110-0286	SCREW, #8-18x1-1/2,PHT-AB,PH,CS	12
5	110-3165	SCREW, M4x0.7x14L,PHT,PH,CS,ZI	4
6	140-3323	U-NUT, #8, PANEL .025-.125	12
7	711-3204-01	ASSY, SHROUD W/ LABEL, STEP,LF	1
8	711-3204-02	ASSY, SHROUD W/LABEL, STEP, RT	1

DOCUMENT STATUS:
RELEASE

NOTICE OF PROPRIETARY INFORMATION
THIS DOCUMENT SHALL NOT BE REPRODUCED NOR SHALL THE INFORMATION CONTAINED HEREIN BE USED BY OR DISCLOSED TO OTHER EXCEPT AS EXPRESSLY AUTHORIZED BY UNISEN

MATERIAL SEE BOM	TOLERANCES UNLESS OTHERWISE SPECIFIED		UNISEN, INC. DBA	
	X.XXX = ± .010	ANGLES = ± 2°	14410 Myford Road Irvine CA 92606	
FINISH N/A	DRAWN	DNGO	01-23-07	PART NO 711-3203
	CHECKED			
	APPROVED			TITLE KIT, SHROUD, E-ST
	U.O.M.	INCH	SCALE: 1:8	SHEET 1 OF 1
			SHEET SIZE: B	